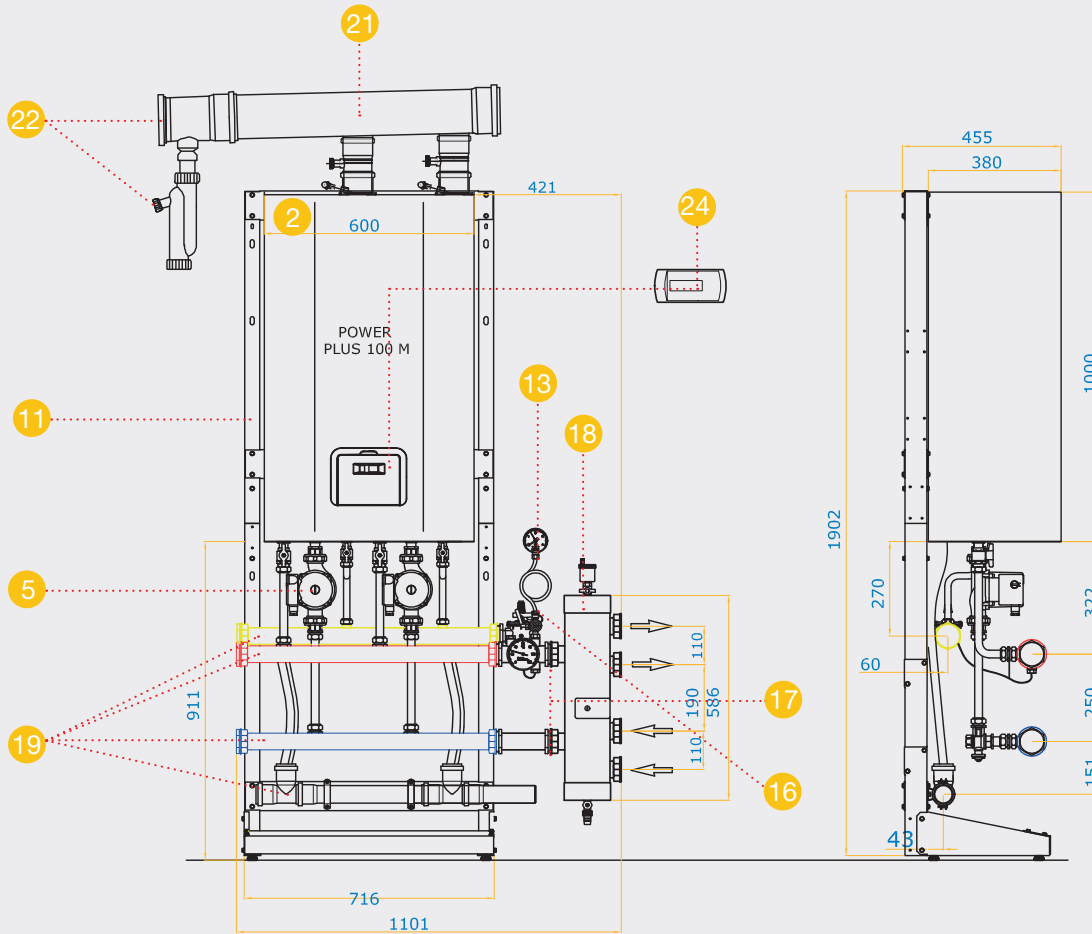


# Stand-alone configuration - 100 kW (wall-hung or free-standing)



This scheme has only an indication purpose

diagram ref.	code	description	quantity
<b>BOILERS</b>			
2	20019200	Power Plus 100 M	1
<b>USER INTERFACE</b>			
24	1102379*	Remote control	1
<b>HYDRAULIC COMPONENTS and SAFETY DEVICES</b>			
19	20017226	Hydraulic manifold kit 100 kW for Power Plus rig with blank end-flange	1
5	20009442	Pump kit (front) for Power Plus rig	2
18	20017271	Hydraulic header/seperator – 100 kW	1

diagram ref.	code	description	quantity
17	20017270	Connection pipes kit to hydraulic header/seperator - 100 kW	1
13	20009475*	ISPESL safety kit (400 kW max.)	1
16	20009486*	Gas safety cut-off valve (100 kW max.)	1
<b>SUPPORTS for LINEAR WALL-HUNG or FREE-STANDING MOUNTING</b>			
11	20009472	Power Plus rig (front mounting)	1
<b>FLUES</b>			
21	4030312	Flues collector kit Ø 125 for 100 kW	1
22	4030031	Condensate drain kit Ø 125 with tap	1

\* OPTIONAL component