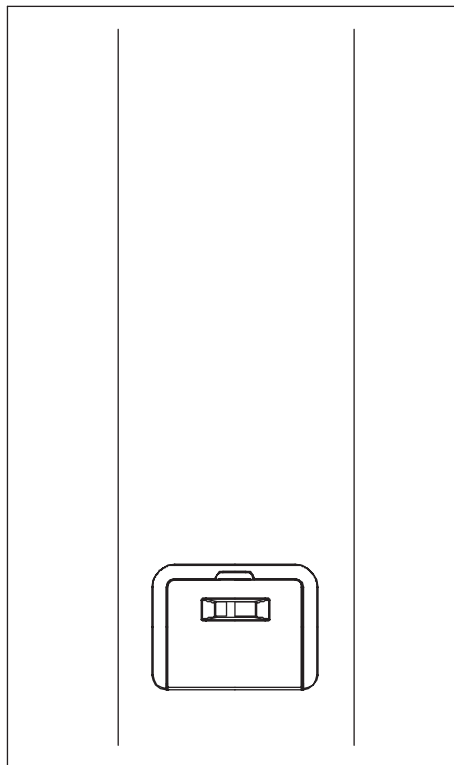
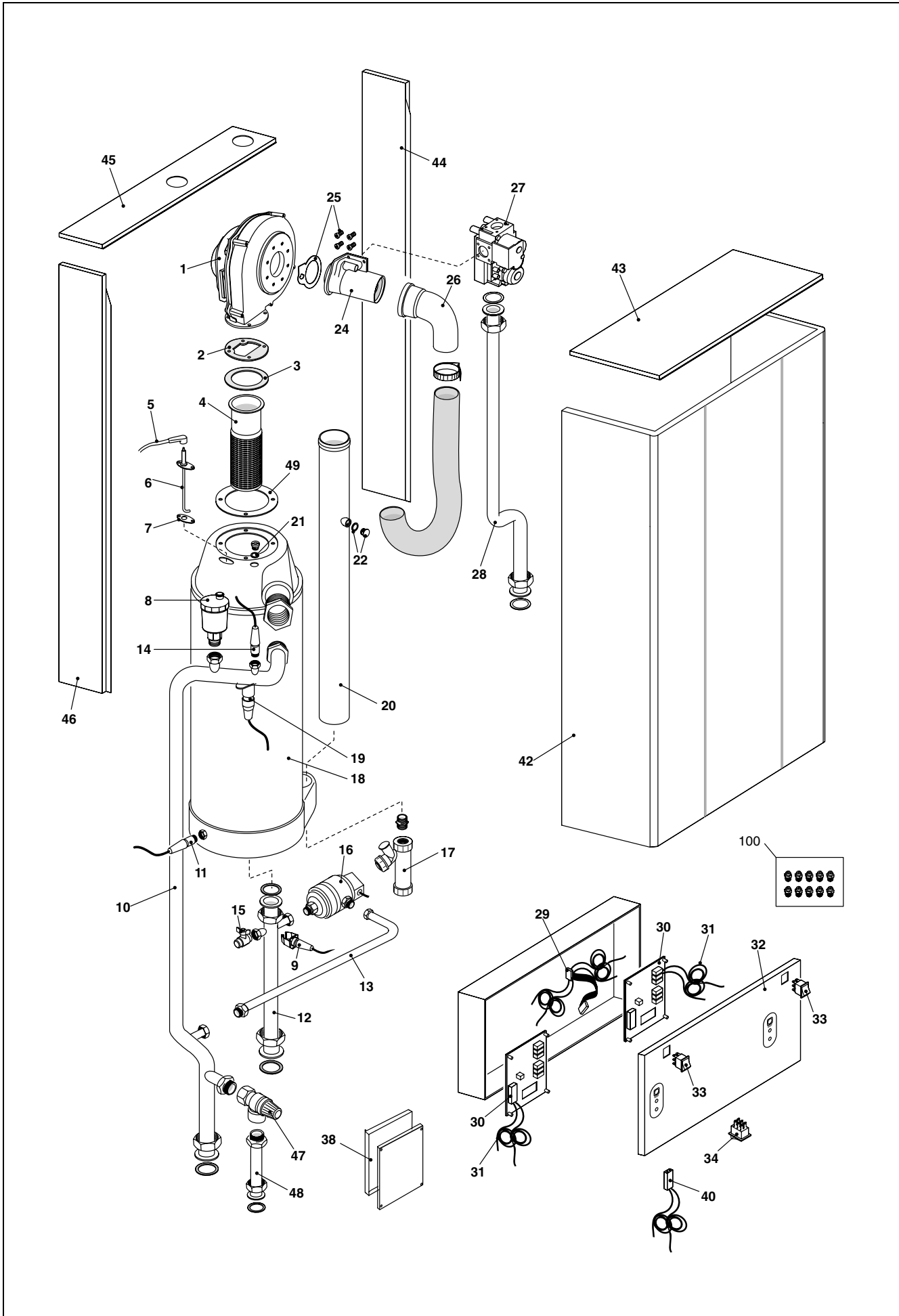


Wall hung boilers

Power Plus S



MODEL	PART NUMBER	
	MTN	GPL
Power Plus 100 S	20019309 (F7L)	-
Power Plus 100 S DEP.	20019319 (F8L)	-



POS.	DESCRIPTION	100s	100s Dep.
1	Fan	R105931	R105931
2	Washer	R105903	R105903
3	Gasket	R105917	R105917
4	Premix burner	B81511	B81511
5	Wiring harness	R105901	R105901
6	Electrode ignition and detection	R105914	R105914
7	Gasket	R105916	R105916
8	Air venting plug	R105930	R105930
9	Detector	B81512	B81512
10	Pipe	R106337	R106337
11	NTC sensor	R7236	R7236
12	Pipe	B81513	B81513
13	Pipe	B81514	B81514
14	NTC sensor	R10027352	R10027352
15	Cock	R105912	R105912
16	Pressure	B81510	B81510
17	Condensation outlet kit	R105919	R105919
18	Condensing exchanger	R105918	R105918
19	Thermostat	R105926	R105926
20	Pipe	B81515	B81515
21	Gasket	R105904	R105904
22	Plug	B81516	B81516
24	Venturi tube	R105932	R105932
25	Venturi tube screw washer	R105908	R105908
26	Bend	R105902	R105902
27	Gas valve	R106250	R106250
28	Gas pipe	R105970	R105970
29	Wiring harness	B81517	B81517
30	Slave printed circuit board	R107934	R107934
31	Slave wiring harness	B81518	B81518
33	Switch	R105906	R105906
34	On / off button round	R105907	R105907
38	Panel and cover slave	R105974	R105974
40	Serial Wiring	B81520	B81520
42	Slave front panel	R106372	R106372
43	Upper front panel	R105965	R105965
44	Right panel	R105968	R105968
45	Top rear	R105975	R105975
46	Left panel	R105969	R105969
47	Safety valve	R106615	R106615
48	Pipe	R106339	R106339
49	Exchanger flange	R105915	R105915
100	LPG conversion kit	R107180	R107180



Beretta reserve the right to change the specifications without prior notice.
Consumers' statutory rights are not affected.